

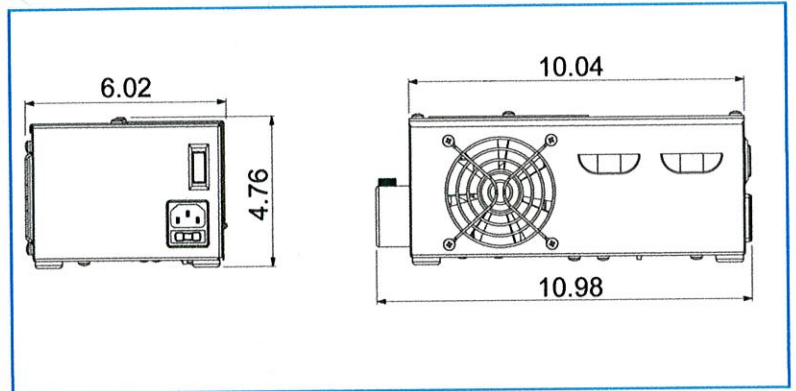


FC-TR-H75-TW

FIBER CREATIONS TRITON 75 WATT HALOGEN WITH TWINKLE WHEEL

Halogen Illuminator with Twinkle Wheel

Perfect for twinkling star ceilings **Triton** Tungsten Halogen Illuminator



Designed especially for the North American market, the Triton tungsten halogen illuminator operates at 120VAC as standard and is fully UL approved.

Description	75W
Port connector size	1.18" (30mm) diameter
Fiber type	Glass/PMMA
Supply voltage	120 VAC 60 Hz
Lamp power	75W
Input power @ 120VAC	82.5VA
Running current @ 120VAC	0.75A
Min. ambient temperature	-20°C
Max. ambient temperature	40°C
Thermal protection	Self reset thermal switch
Main fuse	2 Amp
Power cord	IEC line cable
Fan type	80mm crossflow
Lamp type	Tungsten Halogen
Lamp model	EYF
Lamp color temperature	3000K
Acoustic rating	33.0 dB(A) (white light) 31.0 dB(A) (decorative)
Operating environment	Indoor / dry
Protection rating	IP20
Material	Sheet steel
Color	Black
Size	10.98" x 6.02" x 4.76"
Weight	8.16lb (3.7kg)